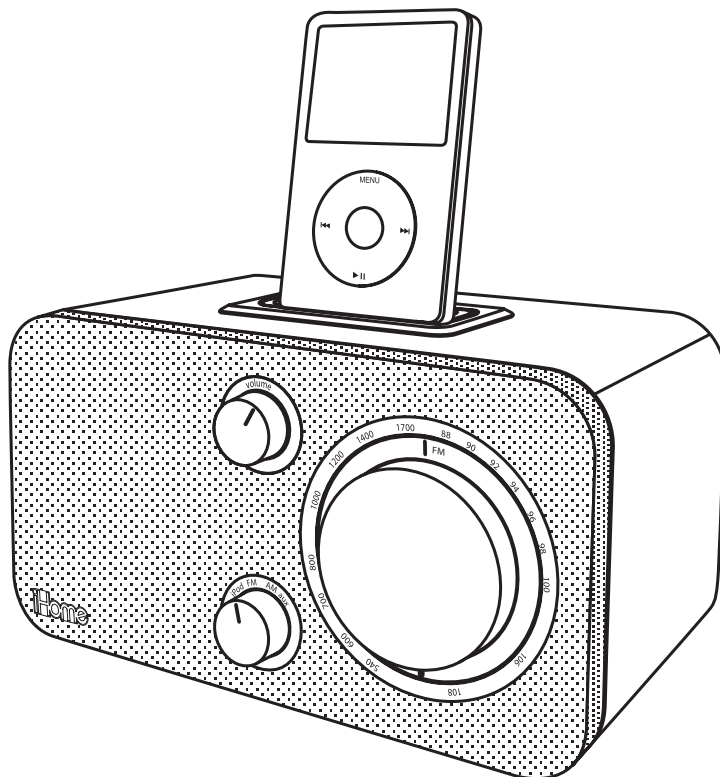


# iHome™

Model iH10/iH14  
**AM/FM for your iPod®**



**NOTE: THIS UNIT WILL NOT CHARGE 3G iPod**

**Questions? Visit [www.ihomeaudio.com](http://www.ihomeaudio.com)**

# Table of Contents

<b>Quick Start</b> .....	1
<b>Controls and Indicators</b> .....	2
<b>Using your iHome</b> .....	3
<b>A Consumer Guide to Product Safety</b> .....	4
<b>Troubleshooting</b> .....	5
<b>Solucionando problemas</b> .....	6
<b>Warranty Information</b> .....	7

## A Consumer Guide to Product Safety

This device complies with part 15 of the FCC Rules. Operation is subject to the condition that this device does not cause harmful interference.

This equipment complies with the limits for a Class B digital device as specified in Part 15 of FCC Rules. These limits provide reasonable protection against radio and TV interference in a residential area.

However, your equipment might cause TV or radio interference even when it is operating properly. To eliminate interference you can try one or more of the following corrective measures:

- Reorient or relocate the receiving antenna.
- Increase the distance between the equipment and the radio or TV.
- Use outlets on different electrical circuits for the equipment and the radio or TV.

Consult your dealer or an experienced radio/television technician if the problem still exists.

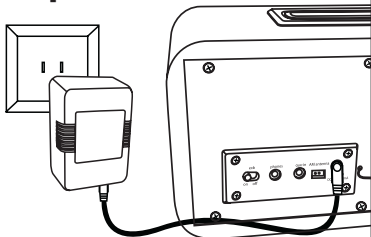
Modifying or tampering with your system's internal components can cause a malfunction and might invalidate the system's warranty and void your FCC authorization to operate it.

### Maintenance

- Place the unit on a level surface away from sources of direct sunlight or excessive heat.
- Protect your furniture when placing your unit on a natural wood and lacquered finish. A cloth or other protective material should be placed between it and the furniture.
- Clean your unit with a soft cloth moistened only with mild soap and water. Stronger cleaning agents, such as Benzine, thinner or similar materials can damage the surface of the unit.

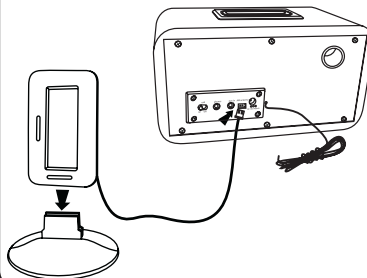
# quick start

## 1:power



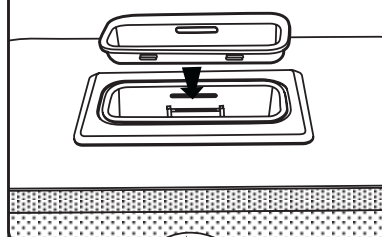
Attach AC adaptor plug to jack on back of the unit and plug the other end into a wall socket.

## 2:antenna



Snap AM antenna into provided stand, then plug antenna cable into socket on back of unit. Move antenna 12" away.

## 3:inserts



Select the dock insert for your iPod® model from the table below and place insert in dock. **Never dock an iPod without an insert in place.**

**NOTE:** If you do not have an insert for your iPod, please visit an Apple store, [www.ihomeaudio.com](http://www.ihomeaudio.com), or call iHome toll free at 800-288-2792 to purchase one.

iPod nano

Insert 8

iPod nano

iPod with video (30 GB)

Insert 9

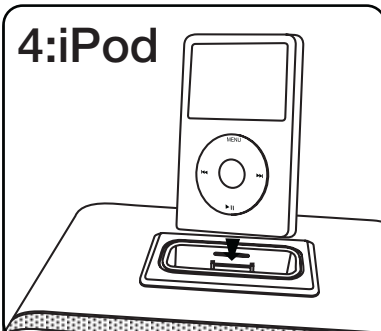
thin (30 GB) iPod with video

iPod with video (60,80 GB)

Insert 10

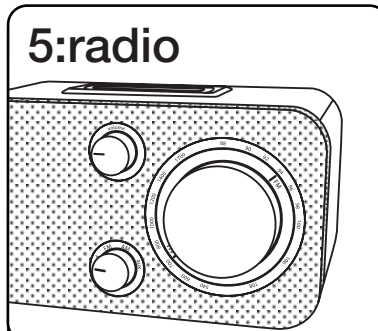
thick (60,80 GB) iPod with video

## 4:iPod



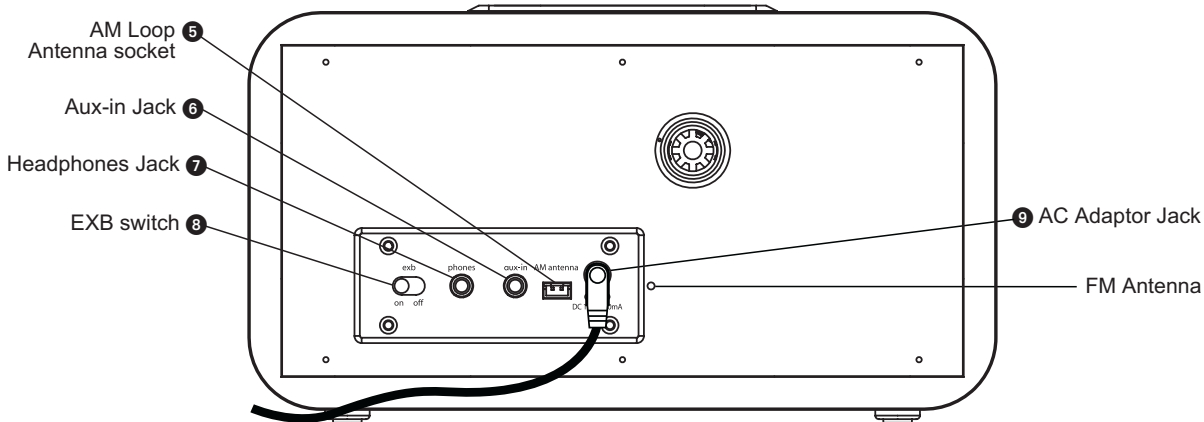
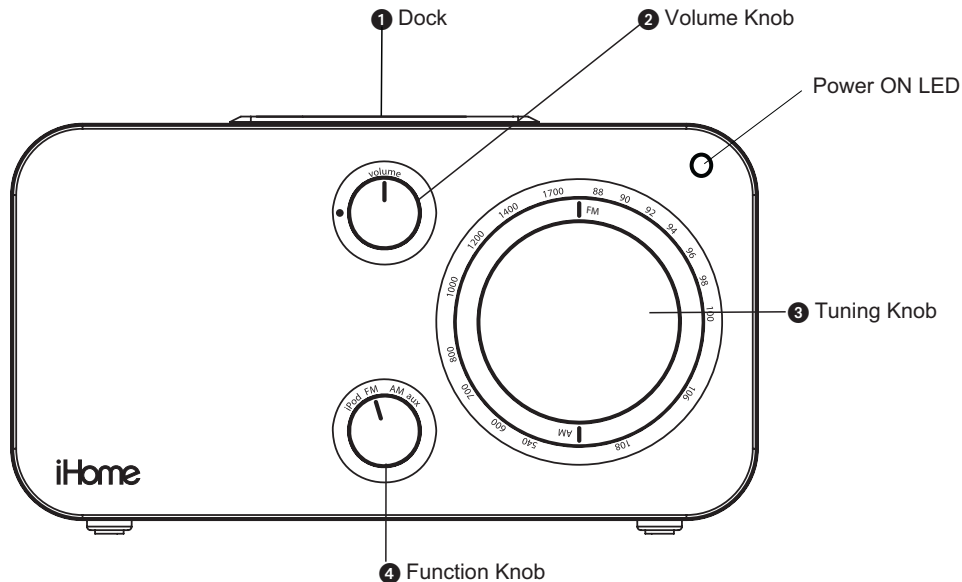
Insert an iPod® into the dock with proper insert (iPod must not be in a skin or case). The iPod will charge while docked. Turn the Function knob to iPod and press play on your iPod to play it.

## 5:radio



Turn the Function knob to AM or FM to select AM or FM radio band. Turn the Tuning knob to desired radio station.

# Controls and Indicators



## Connect Unit to Power Source

Plug the AC adaptor cable into the ⑨ AC Adaptor Jack on the back of the unit and the other end into a standard 120VAC wall outlet.

## Install iPod Insert

Your unit comes with 3 removable inserts to ensure your iPod fits properly in ① Dock. Please see insert table on Quick Start Section. USE PROPER INSERT TO AVOID DAMAGE TO IPOD OR UNIT.

## Playing and charging your iPod

1. Place proper insert for your iPod in ① Dock, then gently dock iPod. When docked, iPod will charge until fully charged. The iPod will not overcharge.
2. Turn the ④ Function Knob to iPod and press play on iPod to play.
3. Turn the ② Volume Knob clockwise to turn on the unit (Power On LED will light) and adjust the volume. Set the ⑧ EXB Switch to On for sound boost.
4. To switch off the unit, turn the ② Volume Knob fully counter-clockwise.

## Listening to Radio

### Setting Up Antennas

1. Snap AM loop antenna into provided stand, then plug antenna cable into the ⑤ AM Antenna socket on back of the unit. Move antenna 12" away from the unit and rotate it for best reception.
2. Extend FM Antenna (on back of unit) fully for best reception. Do not strip, alter or attach to other antenna.

### Tuning and Playing the Radio

1. Turn the ④ Function Knob to AM or FM to select AM or FM radio band.
2. Turn the ② Volume Knob clockwise to turn on the unit (Power On LED will light) and adjust the volume. Set the ⑧ EXB Switch to On for sound boost.
3. Turn the ③ Tuning Knob to tune radio to the desired station.
4. To switch off the unit, turn the Volume Knob fully counter-clockwise.

## Using the Aux-in Jack

1. Plug one end of the audio patch cord (included) into the headphone or line-out jack on your nondocking iPod or other audio device and the other end of the patch cord into the ⑥ Aux-in Jack located on the back of the unit.
2. Turn the ④ Function Knob to AUX.
3. Turn the ② Volume Knob clockwise to turn on the unit (Power On LED will light) and adjust the volume. Set the ⑧ EXB Switch to On for sound boost.
4. To switch off the unit, turn the Volume Wheel fully counter-clockwise.

## Using the Headphones Jack

1. Plug your headphones into the ⑦ Headphones Jack located on the back of the unit for private listening to any selected function (iPod, radio or aux). Speaker output is disabled when headphones are plugged in.
2. Turn the ② Volume Knob clockwise to turn on the unit (Power On LED will light) and adjust the volume. Set the ⑧ EXB Switch to On for sound boost.
3. To switch off the unit, turn the Volume Knob fully counter-clockwise.

# IMPORTANT SAFETY INSTRUCTIONS

When used in the directed manner, this unit has been designed and manufactured to ensure your personal safety. However, improper use can result in potential electrical shock or fire hazards. Please read all safety and operating instructions carefully before installation and use, and keep these instructions handy for future reference. Take special note of all warnings listed in these instructions and on the unit.

1. **Water and Moisture** – The unit should not be used near water. For example: near a bathtub, washbowl, kitchen sink, laundry tub, swimming pool or in a wet basement.
2. **Ventilation** – The unit should be situated so that its location or position does not interfere with its proper ventilation. For example, it should not be situated on a bed, sofa, rug or similar surface that may block ventilation openings. Also, it should not be placed in a built-in installation, such as a bookcase or cabinet, which may impede the flow of air through the ventilation openings.
3. **Heat** – The unit should be situated away from heat sources such as radiators, heat registers, stoves or other appliances (including amplifiers) that produce heat.
4. **Power Sources** – The unit should be connected to a power supply only of the type described in the operating instructions or as marked on the appliance.
5. **Power-Cable Protection** – Power supply cables should be routed so that they are not likely to be walked on or pinched by items placed upon or against them. It is always best to have a clear area from where the cable exits the unit to where it is plugged into an AC socket.
6. **Cleaning** – The unit should be cleaned only as recommended. See the Maintenance section of this manual for cleaning instructions.
7. **Objects and Liquid Entry** – Care should be taken so that objects do not fall and liquids are not spilled into any openings or vents located on the product.
8. **Attachments** – Do not use attachments not recommended by the product manufacturer.
9. **Lightning and Power Surge Protection** – Unplug the unit from the wall socket and disconnect the antenna or cable system during a lightning storm or when it is left unattended and unused for long periods of time. This will prevent damage to the product due to lightning and power-line surges.
10. **Overloading** – Do not overload wall sockets, extension cords, or integral convenience receptacles as this can result in a risk of fire or electric shock.
11. **Damage Requiring Service** – The unit should be serviced by qualified service personnel when:
  - A. the power supply cable or plug has been damaged.
  - B. objects have fallen into or liquid has been spilled into the enclosure.
  - C. the unit has been exposed to rain.
  - D. the unit has been dropped or the enclosure damaged.
  - E. the unit exhibits a marked change in performance or does not operate normally.
12. **Antenna** – Do not connect an external antenna to the unit (other than that provided).
13. **Periods of Nonuse** – If the unit is to be left unused for an extended period of time, such as a month or longer, the power cable should be unplugged from the unit to prevent damage or corrosion.
14. **Servicing** – The user should not attempt to service the unit beyond those methods described in the user's operating instructions. Service methods not covered in the operating instructions should be referred to qualified service personnel.

Questions? Visit [www.ihomeaudio.com](http://www.ihomeaudio.com)

## Troubleshooting

Symptom	Possible Problem	Solution
Unit does not respond	AC adaptor isn't plugged into a wall outlet or the connector is not plugged into the power supply jack on the back of the unit	Plug the AC adaptor into a wall outlet and plug the connector into the supply jack on the unit. Turn Volume knob to turn unit on.
	Wall outlet is not functioning	Plug another device into the same wall outlet to confirm the outlet is working. If the outlet is controlled by a switch, turn switch on.
iPod cannot dock properly	Using no or wrong iPod insert	Make sure the dock insert is the proper fit to your iPod
	iPod isn't installed properly	Remove your iPod from the dock and check for obstruction on the connectors in the dock and on your iPod. Then reseal it in the dock.
iPod is playing but there's no sound	iPod is not installed properly	Remove your iPod from the dock and check for obstruction on the connectors in the dock and on your iPod. Then reseal it in the dock.
	Function knob is not set to iPod	Make sure Function knob is set to iPod
	iPod is locked up	Please make sure your iPod is working properly before docking into the unit. Please refer to your iPod manual for details.
iPod didn't charge	iPod is not installed properly	Remove your iPod from the dock and check for obstruction on the connectors in the dock and on your iPod. Then reseal it in the dock.
	iPod is locked up/frozen	Please make sure your iPod is working properly before docking into the unit. Please refer to your iPod manual for details.
	iPod battery has problem	
Sound is distorted	Volume level is set too high	Decrease the unit volume and set EXB switch to off
	Sound source is distorted	If iPod original sound source is poor quality, distortion and noise are easily noticed with high-power speakers. Try a different audio source such as a music CD.
		If you are using an iPod Shuffle or external sound source like older generation iPod, try reducing the output volume on the device itself. Also, try turning bass boost OFF.
No AM radio sound OR very noisy AM radio sound	AM loop antenna is not connected to the unit OR is not properly located	Plug the AM loop antenna connector to the jack on the back of the unit. Move the loop antenna away from the unit. Rotate antenna for best reception.

## Solucionando problemas

Síntoma	Causa posible	Solución
La unidad no responde.	El adaptador de AC no está conectado al tomacorriente o el conector no está conectado a la ficha en la parte posterior de la unidad.	Conecte el adaptador de AC a un tomacorriente y el adaptador a la ficha en la parte posterior de la unidad. Gire el control de volumen para encender la unidad.
	El tomacorriente no funciona.	Conecte otro aparato en ese tomacorriente para verificar si el tomacorriente funciona. Si el tomacorriente funciona con un interruptor, colóquelo en la posición de encendido.
El iPod no encastra correctamente.	No ha colocado ningún encastre o ha colocado el encastre incorrecto para su iPod.	Verifique que el encastre sea el apropiado para su iPod.
	El iPod no encastró correctamente.	Quite el iPod del encastre y retire la posible obstrucción del encastre o de su iPod. Vuelva a colocar el iPod dentro del encastre.
El iPod está funcionando pero no hay sonido alguno.	El iPod no está instalado correctamente.	Quite el iPod del encastre y verifique posibles obstrucciones del encastre o de su iPod. Vuelva a colocar el iPod dentro del encastre.
	El control de función iPod no ha sido seleccionado	Coloque el control de función iPod en la posición iPod.
	El iPod está trabado.	Verifique que su iPod funciona correctamente antes de conectarlo a la unidad. Refiérase al manual de su iPod para más detalles.
El iPod no cargó.	El iPod no está instalado correctamente.	Quite el iPod del encastre y retire la posible obstrucción del encastre o de su iPod. Vuelva a colocar el iPod dentro del encastre.
	El iPod está trabado/no responde.	Por favor asegúrese de que su iPod funciona correctamente antes de colocarlo en el encastre. Refiérase al manual de su iPod para mayor información.
	La batería del iPod podría tener algún inconveniente.	
El sonido sale distorsionado.	El volumen se encuentra muy alto.	Baje el volumen de la unidad y coloque el selector EXB en apagado.
	El sonido de la unidad sale distorsionado.	Si el sonido original era de pobre calidad, las distorsiones y ruidos se harán más notables con los parlantes de alta potencia. Pruebe utilizar otra fuente de audio como un CD de música. Si está utilizando un iPod Shuffle o un reproductor de primera generación, intente bajar el volumen en el aparato mismo. También intente apagar el amplificador de bajos ("Bass Boost").
No se escucha la radio AM o el sonido de la radio AM sale muy distorsionado	La antena circular no se encuentra conectada a la unidad o no está ubicada correctamente.	Inserte el conector de la antena circular a la ficha en la parte posterior de la unidad. Aleje la antena de la unidad. Gire la antena hasta obtener una mejor recepción.



# Limited 90-Day Warranty Information

---

iHome Products, a division of SDI Technologies Inc. (hereafter referred to as SDI Technologies), warrants this product to be free from defects in workmanship and materials, under normal use and conditions, for a period of 90 days from the date of original purchase.

Should this product fail to function in a satisfactory manner, it is best to first return it to the store where it was originally purchased. Should this fail to resolve the matter and service still be required by reason of any defect or malfunction during the warranty period, SDI Technologies will repair or, at its discretion, replace this product without charge (except for a \$10.00 charge for handling, packing, return UPS/postage, and insurance). This decision is subject to verification of the defect or malfunction upon delivery of this product to the Factory Service Center listed below. The product must include proof of purchase, including date of purchase. The fee for service without proof of purchase is \$20.00.

Before returning this product for service, please first replace the batteries (if applicable) with fresh ones, as exhausted or defective batteries are the most common cause of problems encountered.

If service is still required:

1. Remove the batteries (if applicable) and pack the unit in a well padded, heavy corrugated box.
2. Enclose a photocopy of your sales receipt, credit card statement, or other proof of the date of purchase, if within the warranty period.
3. Enclose a check or money order payable to the order of SDI Technologies, for the sum of \$10.00 (\$20.00 without proof of purchase).
4. Send the unit prepaid and insured, to the Factory Service Center listed below.

Consumer Repair Department  
SDI Technologies Inc.  
1330 Goodyear Dr.  
El Paso, TX 79936-6420

## Disclaimer of Warranty

NOTE: This warranty is valid only if the product is used for the purpose for which it was designed. It does not cover (i) products which have been damaged by negligence or willful actions, misuse or accident, or which have been modified or repaired by unauthorized persons; (ii) cracked or broken cabinets, or units damaged by excessive heat; (iii) damage to digital media players, CD's or tape cassettes (if applicable); (iv) the cost of shipping this product to the Factory Service Center and its return to the owner.

This warranty is valid only in the United States of America and does not extend to owners of the product other than to the original purchaser. In no event will SDI Technologies or any of its affiliates, contractors, resellers, their officers, directors, shareholders, members or agents be liable to you or any third party for any consequential or incidental damages, any lost profits, actual, exemplary or punitive damages. (Some states do not allow limitations on implied warranties or exclusion of consequential damages, so these restrictions may not apply to you.) This warranty gives you specific legal rights, and you may also have other rights which vary from state to state. Your acknowledgment and agreement to fully and completely abide by the above mentioned disclaimer of warranty is contractually binding to you upon your transfer of currency (money order, cashier's check, or credit card) for purchase of your SDI Technologies product.

**Questions? Visit [www.ihomeaudio.com](http://www.ihomeaudio.com)**

**Toll Free Customer Service: 1-800-288-2792**