

CLEANING AND CARE

1. Before cleaning the unit, turn the power off. Make sure your hands are dry before the adapter is unplugged from the diffuser and outlet.
2. Remove the outer cover from the base. Next, remove the inner cover.
3. Carefully pour any remaining water and essential oil out of the reservoir, from the drain side, opposite the air outlet. Be sure not to empty the reservoir near the air outlet in order to avoid malfunction.

CAUTION: Never immerse the unit in water (danger of short circuit).

TO CLEAN THE SURFACE

Clean the surface of your diffuser with a clean, damp, soft cloth as often as needed.

TO CLEAN THE RESERVOIR AND ULTRASONIC MEMBRANE

We recommend wiping the reservoir with a clean, damp, soft cloth at least once every 2-3 weeks, depending on usage.

NOTE: Depending on your usage, and the amount of essential oil you use, you may want to clean the reservoir and ultrasonic membrane more frequently for best performance.

For the most thorough clean, pour a 50/50 mixture of vinegar and water into the reservoir, then soak for five minutes. (Do not use detergents or other harsh cleaning agents as this may damage the unit.) Brush reservoir interior walls, base and ultrasonic membrane clean with a soft bristle brush (not included) and rinse. NEVER touch the ultrasonic membrane with your fingers, as the natural oils in skin can damage the membrane.

Clean and dry the unit before extended periods of inactivity.

CHANGING FRAGRANCE

If you would like to change the fragrance, empty the unit completely and clean the reservoir with a clean, damp, soft cloth. Fill unit once again and pour new drops into the device following the instructions.

SETTING AND USING ALARMS

This unit features dual alarms which can be set to different times and alarm sources. Each is set in the same way. Instructions are given as 'Alarm Button' - press Alarm 1 or Alarm 2 to set alarms.

1. Press and hold the **Alarm Button** for 2 seconds until the alarm time display and alarm icon flash.
2. Press the **-** or **+** **Buttons** to adjust the alarm time (hold for rapid setting). Make sure you set the correct AM/PM alarm time. The PM indicator appears to the left of the time display. Press the **Alarm Button** to confirm the alarm time setting.
3. Now press the **-** or **+** **Buttons** choose an aroma mode to wake to: High, Low, Interval, or Off. Press the **Alarm Button** to confirm.
4. Press the **-** or **+** **Buttons** to select a sound therapy mode to wake to (1-12), to wake to a buzzer, or OFF (no sound). Press the **Alarm Button** to confirm the alarm source.
5. Press the **-** or **+** **Buttons** to adjust the alarm volume. Press the **Alarm Button** to confirm.
6. Press the **-** or **+** **Buttons** to set the desired alarm schedule: 7 Days (every day), 5 Days (week days only) or 2 Days (weekends only).
7. Press the **Alarm Button** to confirm all settings. The corresponding **Alarm Indicator** (1 or 2) will appear on the display to confirm the alarm is armed.

TURNING THE ALARM ON/OFF

1. Press the **Alarm Button** to preview the alarm time. Press again toggle the alarm ON and OFF, indicated by the related LED indicator.
2. When the alarm sounds, press the corresponding **Alarm Button (1 or 2)** or the **Power/Alarm Reset Button** to disable the alarm and reset it for the next day.

SNOOZE/DISPLAY DIMMER

Snooze: When the alarm is sounding, press the **Snooze/Dimmer Button** on the remote to snooze (default is 9 minutes).

Dimmer: Press and release the **Snooze/Dimmer Button** on the remote (when alarm is NOT sounding) to adjust display brightness: MAX, MID, LOW, MIN, and OFF. To adjust the display brightness on the unit itself, press and release the **Time Set Button** to select dimmer settings.

PROGRAMMABLE SNOOZE

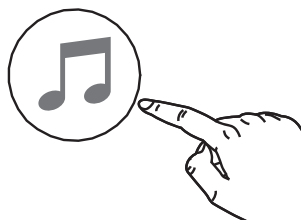
Set the duration of your snooze timer:

1. To program Snooze, press and hold the **Snooze/Dimmer Button** for 2 seconds during normal operation (when no alarm is sounding).
2. Press the **-** or **+** **Buttons** to select the desired snooze time (between 1 and 29 minutes).
3. Press the **Snooze/Dimmer Button** again to confirm setting.

SOUND THERAPY

Press the **Sound Button** repeatedly to cycle through 12 modes:

- Dream
- Zen
- Trance
- Meditation
- Nature
- Ocean
- River
- Storm
- Air
- Focus
- Drive
- Quiet
- OFF



Press and hold to pause / Tap to resume

TIMERS (AROMA + SOUND)

This unit allows you to set a timer for the current sound and/or aroma source. A voice prompt will confirm when either timer is set.

Using the remote control:

1. To set an Aroma Timer, press the **Aroma Timer Button** as needed to cycle to the desired duration: 10 minutes, 30 minutes, 1 hour, 2 hours, 4 hours, 6 hours, 8 hours, or OFF.
2. To set a Sound Timer, press the **Sound Timer Button** as needed to cycle to the desired duration: 10 minutes, 30 minutes, 1 hour, 2 hours, 4 hours, 6 hours, 8 hours, or OFF.

PROGRAMMABLE THERAPY PRESETS

The unit allows you to store up to 2 presets to easily access your favorite aroma and sound mode combinations.

Using the remote control:

1. When your preferred sound and aroma modes are active, press and hold **P1** or **P2** to set up a preset.
2. Once set, press **P1** or **P2** to activate your preset at any time.

REMOTE CONTROL

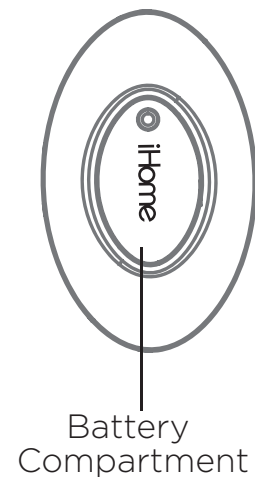
The remote will automatically enter pairing mode when the unit is plugged into a power source. To manually pair the remote:

1. When the unit is OFF, press and hold the **+/- Buttons** on the unit at the same time for 5 seconds.
2. 'PAIR' will read on the clock display to indicate the unit is in pairing mode.
3. Press any button on the remote to continue.

REMOTE CONTROL BATTERY

The remote control comes with 1 CR2032 battery already installed. To replace the battery:

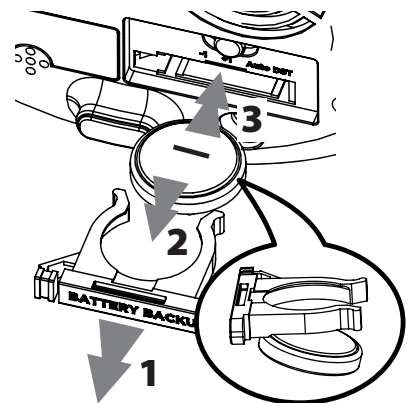
1. Use a Phillips screwdriver to open the battery door.
2. Remove the exhausted battery and replace with 1 new CR2032 battery, making sure the '+' sign is facing up. Close the battery door. Do not overtighten the screw.



BATTERY BACKUP

The unit comes with 1 CR2450 back-up battery to maintain alarm and clock settings during a temporary power failure. When the low battery icon appears on the clock display, it is time to replace the back-up battery. The battery compartment is located on the bottom of the unit.

1. Make sure the water tank is empty before replacing the battery. The AC adapter should be connected, or you will lose your clock settings during battery replacement.
2. Push in the corner to unlock the battery compartment door and then remove it.
3. Remove the exhausted battery and insert 1 CR2450 battery. Replace the compartment door.

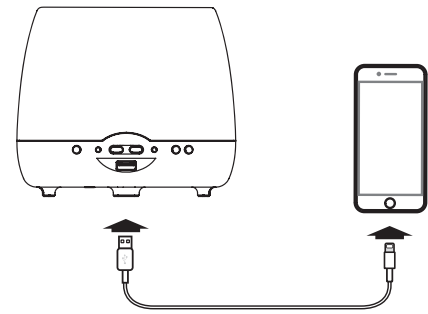


WARNING

- Keep new and used batteries away from children.
- Do not ingest the battery, Chemical Burn Hazard
- This product contains a coin/button cell battery. If the coin/button cell battery is swallowed, it can cause severe internal burns in just 2 hours and can lead to death.
- If the battery compartment does not close securely, stop using the product and keep it away from children.
- If you think batteries might have been swallowed or placed inside any part of the body, seek immediate medical attention.
- CAUTION-Danger of explosion if battery is incorrectly replaced. Replace only with the same or equivalent type following the diagram above.

USB CHARGING

Connect a USB cable (not included) to the USB Charging Port on the back of the unit to charge your devices. (Make sure the unit is connected to a power source.)



IMPORTANT SAFETY INSTRUCTIONS

When used in the directed manner, this unit has been designed and manufactured to ensure your personal safety. However, improper use can result in potential electrical shock or fire hazards. Please read and follow all safety and operating instructions carefully before installation and use, and keep these instructions handy for future reference. Take special note of all warnings listed in these instructions and on the unit.

1. Water and Moisture - The unit should not be used near water. For example: near a bathtub, washbowl, kitchen sink, laundry tub, swimming pool or in a wet basement.
2. Ventilation - The unit should be situated so that its location or position does not interfere with its proper ventilation. For example, it should not be situated on a bed, sofa, rug or similar surface that may block ventilation openings. Also, it should not be placed in a built-in installation, such as a bookcase or cabinet, which may impede the flow of air through the ventilation openings.
3. Heat - The unit should be situated away from heat sources such as radiators, heat registers, stoves or other appliances (including amplifiers) that produce heat.
4. Power Sources - The unit should be connected to a power supply only of the type described in the operating instructions or as marked on the appliance. Only use the AC adapter that came with the unit.
5. Power-Cable Protection - Power supply cables should be routed so that they are not likely to be walked on or pinched by items placed upon or against them. It is always best to have a clear area from where the cable exits the unit to where it is plugged into an AC socket.
6. Lightning and Power Surge Protection - Unplug the unit from the wall socket and empty the water from tank during a lightning storm or when unit is left unattended and unused for long periods. This will prevent damage to the product due to lightning and power-line surges.
7. Objects and Liquid Entry - Care should be taken so that objects do not fall and liquids are not spilled into any openings or vents located on the product.
8. Attachments - Do not use attachments not recommended by the product manufacturer.
9. Damage Requiring Service - The unit should be serviced by qualified service personnel when:
 - A. the power supply cable or plug has been damaged.
 - B. objects have fallen into or liquid has been spilled into the air outlet.
 - C. the unit has been exposed to rain.
 - D. the unit has been dropped or the enclosure damaged.
 - E. the unit exhibits a marked change in performance or does not operate normally.
10. Periods of Nonuse - If the unit is to be left unused for an extended period of time, such as a month or longer, empty water from tank and remove batteries before storage.
11. Servicing - The user should not attempt to service the unit beyond those methods described in this manual. Service methods not covered in the operating instructions should be referred to qualified service personnel.
12. Magnetic Interference: This product's speakers contain powerful magnets which could cause interference or damage to sensitive equipment such as hard drives, CRT televisions and monitors, as well as medical, scientific, and navigational devices. Keep this unit away from these products at all times.
13. Only use attachments/accessories specified by the manufacturer. This product is suitable for use in tropical and/or moderate climates.
14. No naked flame sources, such as lighted candles, should be placed on or near the apparatus.
15. **WARNING:** To reduce the risk of fire or electric shock, do not expose this product to rain or moisture.
16. Do not dispose of batteries in the household trash or fire.
17. The mains plug of power adaptor is used as the disconnect device, it shall remain readily operable.
18. Clean only with dry cloth.
19. Attention should be drawn to the environmental aspects of battery disposal. Check your local requirements.
20. Clean and disinfect the water reservoir on a regular basis.

LIMITED ONE YEAR WARRANTY

iHome Products, a division of SDI Technologies Inc. (hereafter referred to as SDI), warrants this product to be free from defects in workmanship and materials, under normal use and conditions, for a period of one (1) year from the date of original purchase. Should this product fail to function in a satisfactory manner, it is best to first return it to the store where it was originally purchased. Should this fail to resolve the matter and service still be required by reason of any defect or malfunction during the warranty period, SDI will repair or, at its discretion, replace this product without charge. This decision is subject to verification of the defect or malfunction upon delivery of this product to the Factory Service Center authorized by Customer Service.

If service is required, please call Customer Service at 1-800-288-2792 to obtain a Return Authorization Number and shipping instructions. A copy of the sales receipt is required to validate in-warranty coverage.

Disclaimer of Warranty

NOTE: This warranty is valid only if the product is used for the purpose for which it was designed. It does not cover (i) products which have been damaged by negligence or willful actions, misuse or accident, or which have been modified or repaired by unauthorized persons; (ii) cracked or broken cabinets, or units damaged by excessive heat; (iii) damage to digital media players, CD's or tape cassettes (if applicable); (iv) the cost of shipping this product to the Factory Service Center and its return to the owner.

This warranty is valid only in the United States of America and does not extend to owners of the product other than to the original purchaser. In no event will SDI or any of its affiliates, contractors, resellers, their officers, directors, shareholders, members or agents be liable to you or any third party for any consequential or incidental damages, any lost profits, actual, exemplary or punitive damages. (Some states do not allow limitations on implied warranties or exclusion of consequential damages, so these restrictions may not apply to you.) This warranty gives you specific legal rights, and you may also have other rights which vary from state to state. Your acknowledgment and agreement to fully and completely abide by the above mentioned disclaimer of warranty is contractually binding to you upon your transfer of currency (money order, cashier's check, or credit card) for purchase of your SDI product.